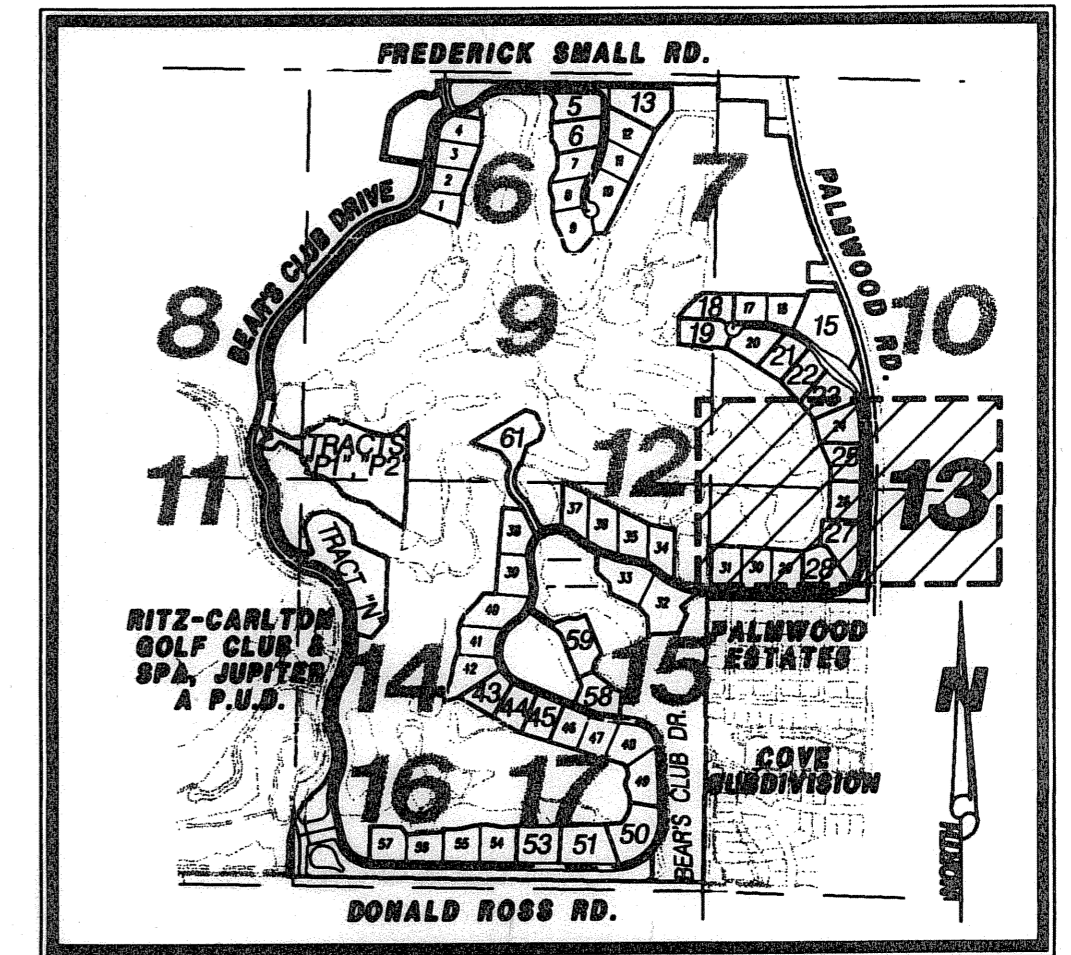
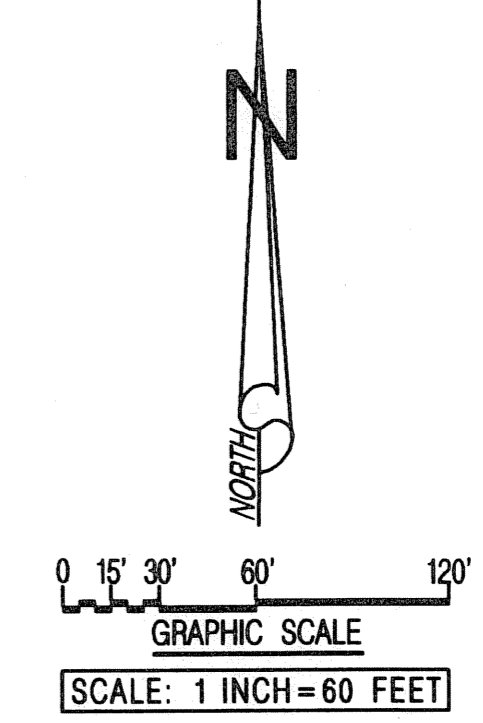


45

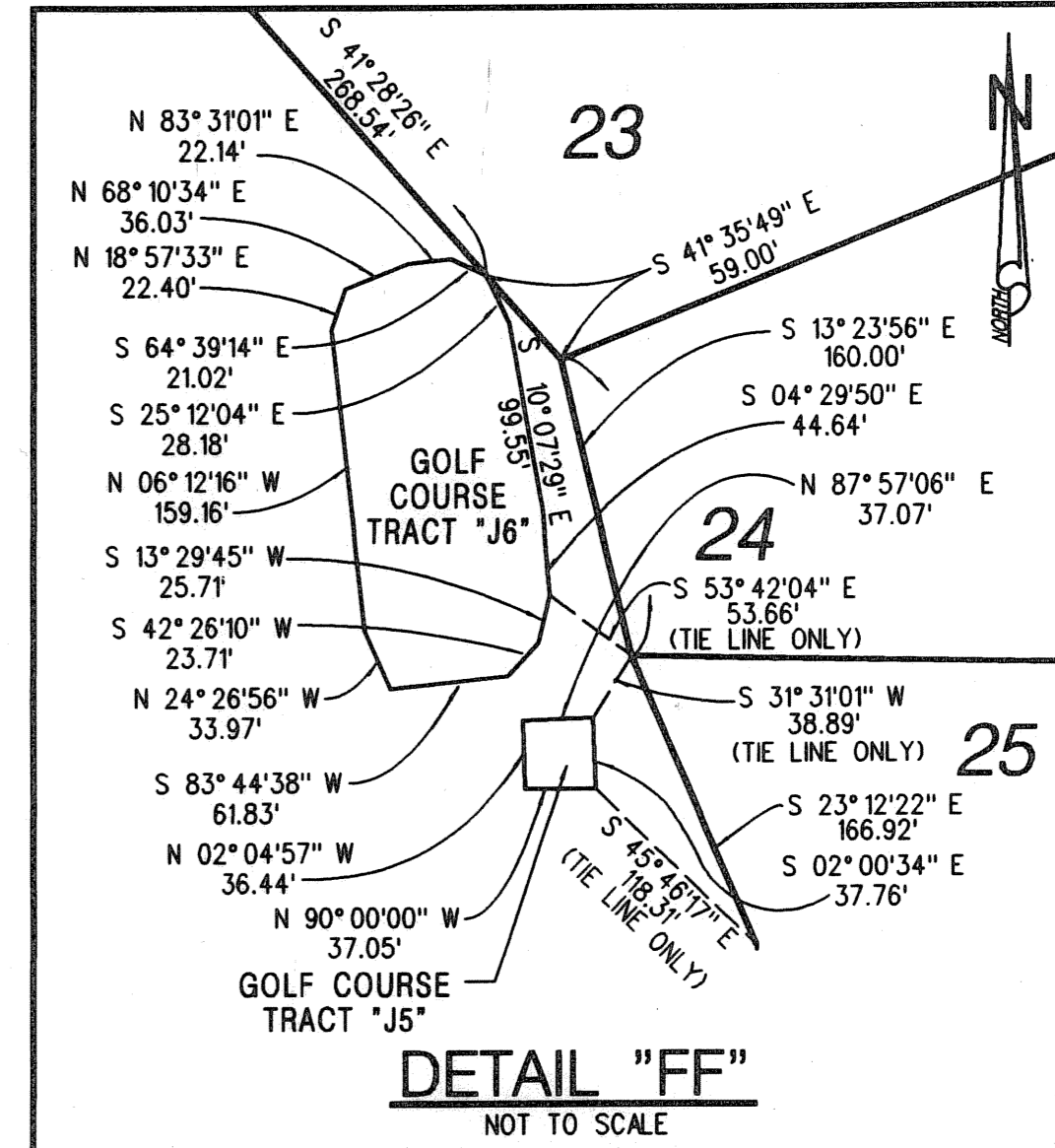
BEAR'S CLUB REPLAT, A P.U.D.

BEING A REPLAT OF A PORTION OF BEAR'S CLUB, A P.U.D., AS RECORDED IN PLAT BOOK 86, PAGES 122 THROUGH 128, AND A PARCEL OF LAND DESCRIBED IN OFFICIAL RECORD BOOK 11237 PAGE 75, ALL IN THE PUBLIC RECORDS OF PALM BEACH COUNTY FLORIDA, LYING IN SECTIONS 19 & 20, TOWNSHIP 41 SOUTH, RANGE 43 EAST TOWN OF JUPITER, PALM BEACH COUNTY, FLORIDA

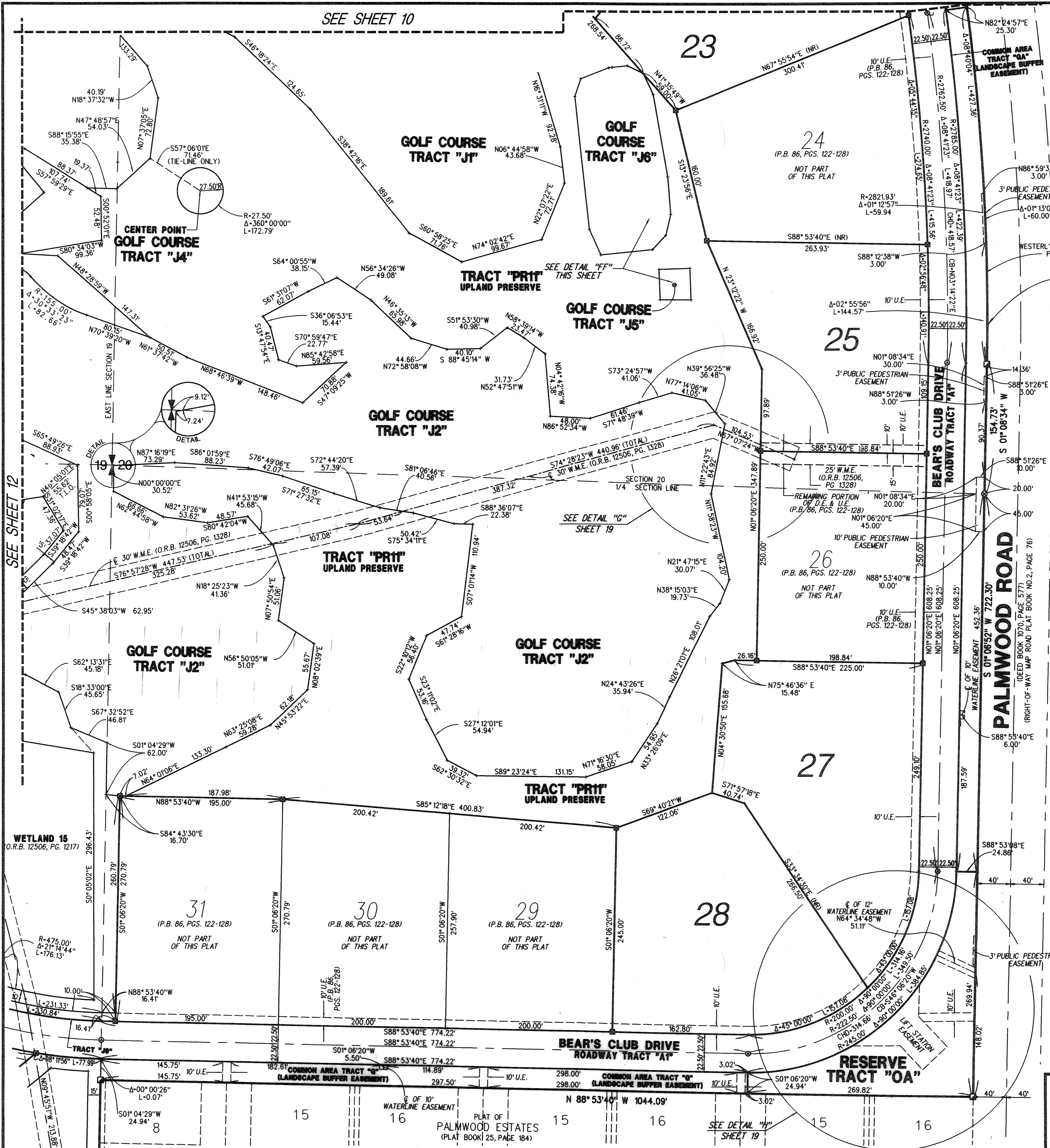
SHEET 13 OF 21 JULY 2005



KEY SHEET



DETAIL "FF"
NOT TO SCALE



LIDBERG LAND SURVEYING, INC.
 675 West Indian Town Road, Suite 200,
 Jupiter, Florida 33458 TEL. 561-746-8454
 LB4431

CAD. K\ UST \ 194143 \ BEARCLUB \ 2090306 \ SHEET13.DGN			
REF. K\ UST \ 194143 \ BEARCLUB \ 2090306 \ 2090306.DGN			
FLD. B.D.	FB. PG.	JOB	00-209-306
OFF. R.W. & E.C.		DATE	JUNE 2005
CKD. D.C.L.	SHEET 13 OF 21	DWG.	D00-209P